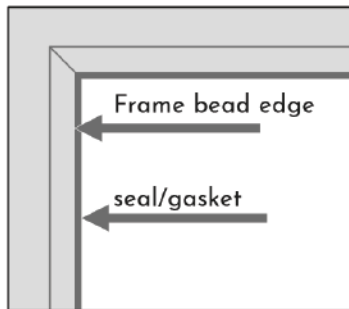


# MEASURING INSTRUCTIONS

---

## Tru-Stick 25mm Wood Blinds CrosbyBlinds Measuring & Fitting Guide

### Measuring

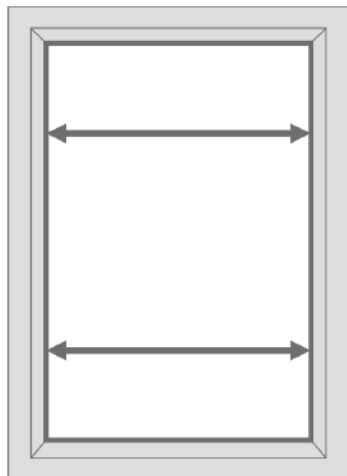


To ensure the best possible fit we require accurate measurements for both the width and drop of the blind.

Measure the full size of the visible glass between the gaskets. Order as glass size.

NB: The blind projects 35mm from the glass to the front of the folded operating handle. Important for bi-fold door operation.

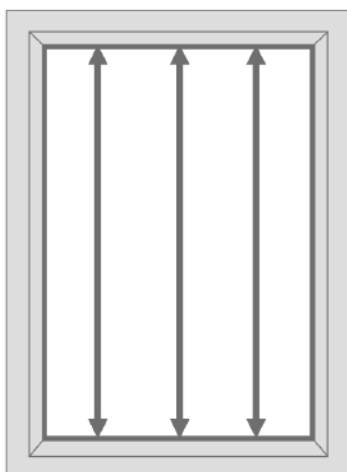
### Measuring Width



Take two measurements of the width, at the top and the bottom of the window.

If there is any variation always use the shortest width to order your blinds. If the windows are particularly large you can take intermediate measurements to check.

### Measuring Drop



Take three measurements of the window drop. If there are any variations, then always use the longest measurement.

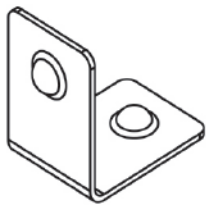
You must measure accurately and to the nearest millimetre to ensure a good fit.

# FITTING INSTRUCTIONS 1/3

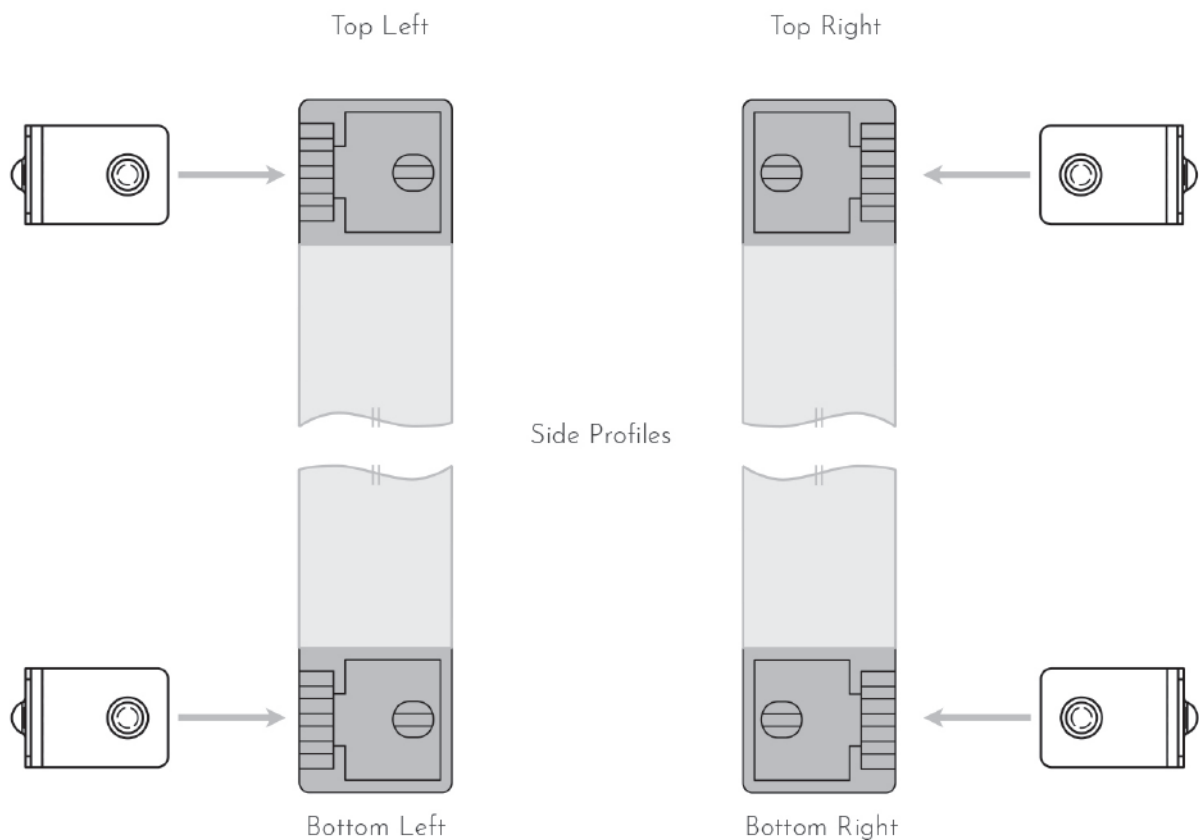
---

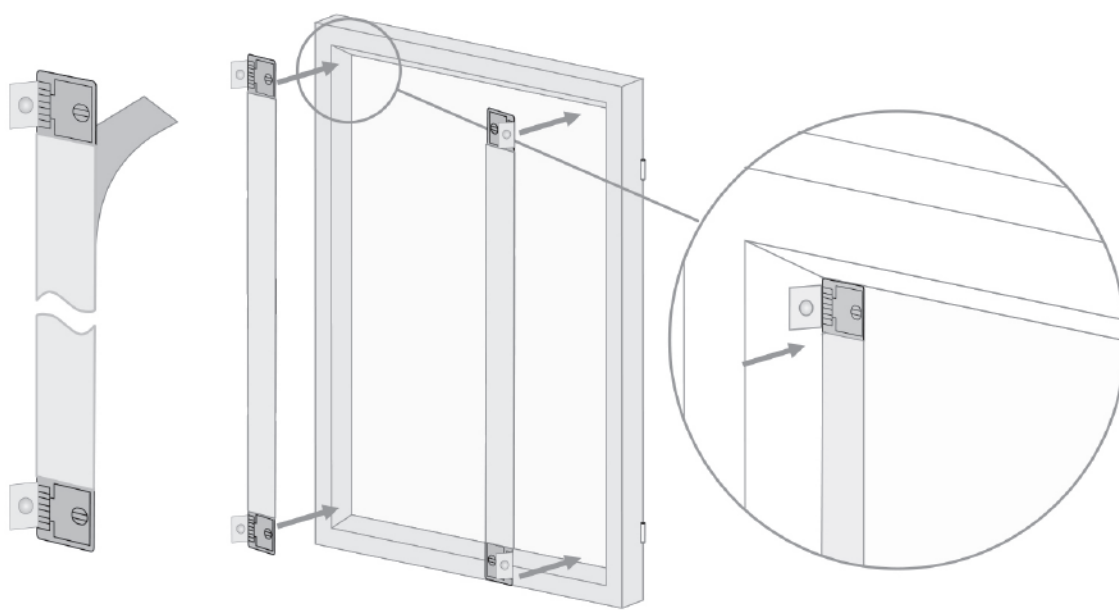
## Insert the L-shape Double Bobble bracket into the side profiles

Insert the L-shape Double Bobble bracket (see below) into the profile. Please note it is the bobble that faces upwards inside of the L shape that fits into the adaptor of the profile.



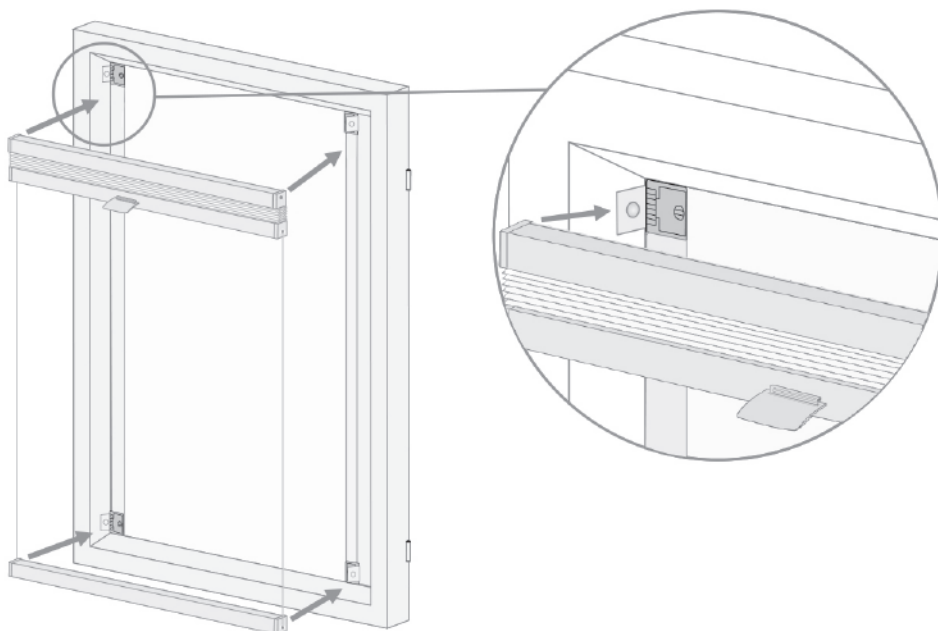
L-shape Double Bobble bracket





### Applying the side profiles

First remove the backing paper from the self adhesive strips and place them to the left and right of the glass as above.



### Install the blinds

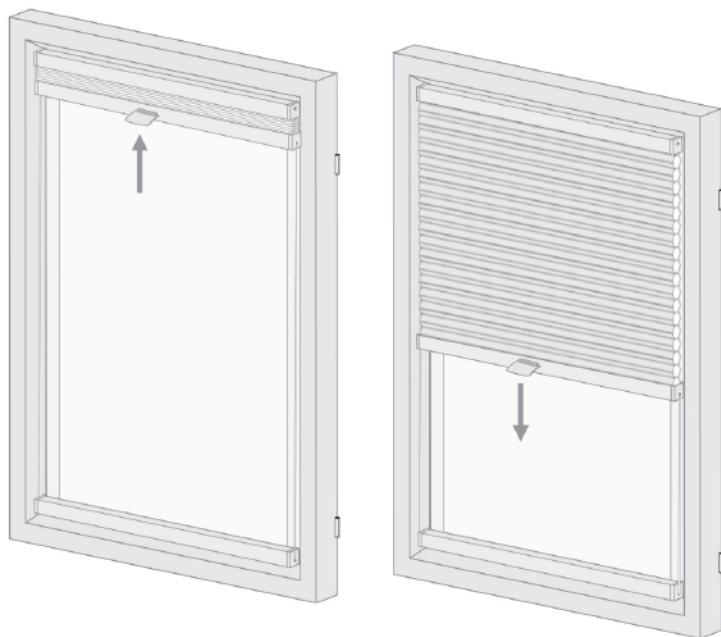
Locate the slot on the back of the left and right side of the blind headrail and gently push onto the exposed, protruding part of the L shape bracket.

Ensure the raised circle on the exposed bracket locates into the hole on the plastic headrail end cap. Repeat for the bottom rail.

The cord tension can be adjusted using the small spring inside the bottom rail.

# OPERATION INSTRUCTIONS

---



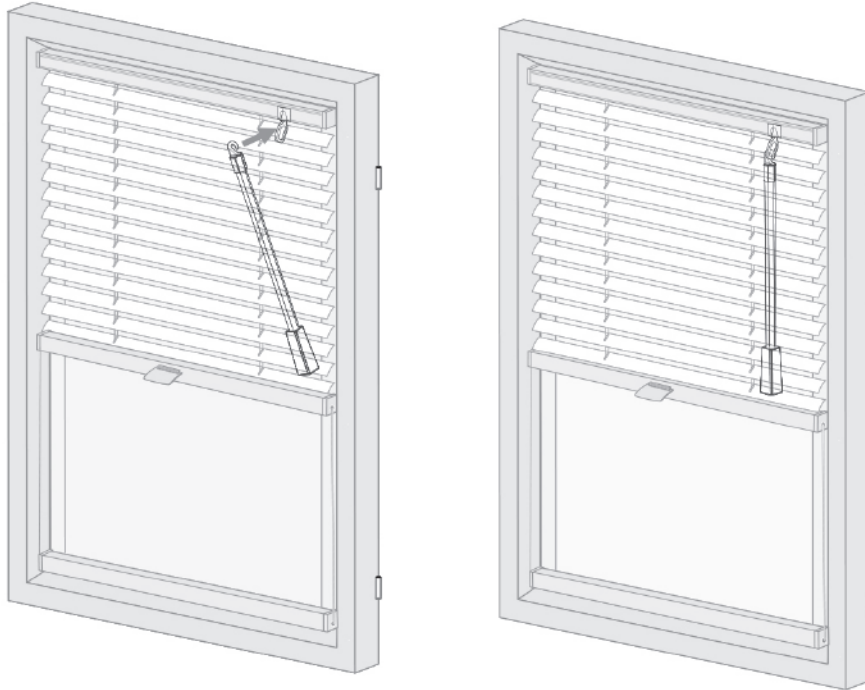
## Operating the blinds

To raise and lower the blinds simply pull up and down using the handle.

The clever, fold away handle makes it ideal to use on bi-fold doors where it is important that the blind does not protrude further than the window frame.

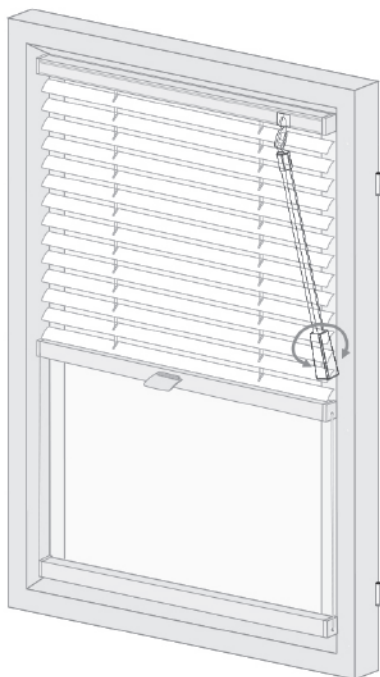
# ADDITIONAL FITTING INSTRUCTIONS

---



## For venetian blinds only

Attach the plastic wand by hooking the wand onto the tilt mechanism on the venetian blind.



Twist the wand to open  
and close the slats